
WIRELESS SERVICE

EXPLANATION OF ABBREVIATIONS

BP	- Billing Percentages
CCT	- Cellular Common Trunk
CDT	- Cellular Dedicated Trunk
CGSA	- Cellular Geographic Serving Area
CLS	- Cellular Line Switching
CM	- Channel Mileage
CMT	- Channel Mileage Termination
CO	- Central Office
Cont'd	- Continued
CTS	- Cellular Tandem Switching
DID	- Direct Inward Dial
DNAL	- Dedicated Network Access Link
EC	- Exchange Company
FCC	- Federal Communications Commission
FGB	- Feature Group B Switched Access
FGD	- Feature Group D Switched Access
Hz	- Hertz
IC	- Interexchange Carrier
LATH	- Local Access and Transport Area
LDC	- Local Distribution Channel
MF	- Multi-frequency Signaling
MPB	- Meet Point Billing
MTS	- Message Toll Service
MTSO	- Mobile Telephone Switching Office
NNX (N)CX)	- Valid 3 digit Central Office Codes
POT	- Point of Termination RCC - Radio Common Carrier
RSA	- Rural (Reliable) Serving Area
SS7	- Signaling System Seven
USOC	- Uniform Service Order Code
WSO	- Wireless Switching Office

Effective: _____
(Date)

Officer: William H. Earles
Title: Exec. Vice President

WIRELESS SERVICE

1. GENERAL

The regulations contained herein are specific to the services involved and in addition to the General Regulations applicable to all services of Smithville Telephone Company, Inc. (hereinafter referred to as the Telephone Company) as set forth in Section II of this tariff.

Application of Tariff

This Tariff applies to the connection of facilities of the Telephone Company to facilities of an authorized Wireless Carrier for the purpose of serving calls between wire line customers of the Telephone Company and/or customers of the Wireless Carrier. This tariff includes all interconnection arrangements between Wireless Carriers and the Telephone Company except for standard business lines that are used exclusively for administrative functions of the Wireless Carrier. Nothing herein prevents wireless carriers from obtaining special access services as described in Section IV.

Rates and charges for Wireless Carrier Service are set forth in Paragraph 3 of this Section. Additional charges for services other than basic service arrangement from the local serving office as described in this Section apply when Wireless Carrier Services are used in conjunction with these other services. Descriptions, rates and application of these additional services are provided elsewhere in this tariff.

Definitions

The following terms and their respective definitions are used in describing the services offered in this tariff. A few of the definitions use the term "cellular" even though this tariff applies to other wireless calls either originating by, or terminating to, Smithville's customers. This is done to retain the terminology used within the industry to describe rate elements originally applied to cellular interconnection.

Authorized Services - Those domestic public Wireless communications services which the Wireless Carrier lawfully provides on an interconnected basis.

Effective: _____
(Date)

Officer: William H. Earles
Title: Exec. Vice President

WIRELESS SERVICE

1. GENERAL (Cont'd)

Definitions (Cont'd)

Billable Minutes - The term "Billable Minutes" denotes that usage of exchange facilities for the purpose of calculating chargeable usage. For a landline originated call, usage is measured from the time the originating end user's call is delivered by the Telephone Company and acknowledged as received by the facilities connected with the originating exchange. For a Wireless Carrier originated call, usage is measured from the time the call is received by the end user in the terminating exchange. Timing of usage at both landline and Wireless Carrier ends shall terminate when the called or calling party disconnects, and will be rounded up to the nearest minute for each end office.

Calling Party Number - an SS7 parameter identifying the directory number of the calling station.

Carrier Selection Indicator - an SS7 parameter which identifies whether the originating line was presubscribed or not, and if the line was presubscribed, whether the end user dialed 10XXX, did not dial 10XXX or if no indication of dialing is available.

Carrier's System - the communications system of the Wireless Carrier used to furnish wireless services.

Cellular Geographic Service Area (CGSA) - The geographic area served by the cellular system within which a Cellular Mobile Carrier is authorized to provide Cellular Mobile service as defined initially by the FCC. This definition also applies to the Rural Service Area (RSA).

Cellular Mobile Carriers (CMC) - The CMCs are communication carriers authorized by the Federal Communications Commission (FCC) to provide cellular mobile communications in a specified Cellular Geographic Service Area (CGSA). The CMCs may request the Telephone Company to provide various facilities to be used in connection with the provision of the CMC's services. A CMC is a wireless carrier.

Effective: _____
(Date)

Officer: William H. Earles
Title: Exec. Vice President

WIRELESS SERVICE

1. GENERAL (Cont'd)

Definitions (Cont'd)

Connecting Circuit - The Facility and associated service arrangement used to connect the Wireless Carrier's System with the Telephone Company's Network for the purpose of interchanging traffic.

Dedicated Network Access Link (DNAL) provides a connection between the Wireless Carrier's designated switch and a Telephone Company switch or central office for the control of features and functions, or for the transfer of data from the switch or central office to the customer. The DNAL is primarily used in conjunction with switched access services or central office based services requiring a separate link for transmitting signaling or control information.

Digital Trunk Channel - The equivalent of a voice band transmission path that is one channel of a digital trunk facility. A Digital Trunk Facility can carry 24 Digital Trunk Channels.

Digital Trunk Facility - A DS-1 (1.544 Mbps) digital transmission path provided between the Wireless Carrier POT and the Telephone Company point of switching, capable of channelizing 24 voice band transmission paths.

End Office Switch - The central office thinking entity where telephone loops are terminated for purposes of interconnection to each other and to the network.

Mobile Telephone Switching Office (MTSO) - The location of a Wireless Carrier's switching system at which the Carrier's customers are terminated for purposes of interconnection to each other and to trunks interfacing with the public switched network. The MTSO normally designates the switching office of the wireless carrier but could be any location designated by the wireless carrier such as a cell site.

Point of Termination (POT) - The demarcation point within a Wireless Carrier's designated premises at which the Telephone Company's responsibility for the provision of interconnection ends.

Effective: _____
(Date)

Officer: William H. Earles
Title: Exec. Vice President

WIRELESS SERVICE

1. GENERAL (Cont'd)

Definitions (Cont'd)

Signal Transfer Point Access - Signal Transfer Point (STP) Access provides interconnection to the Common Channel Signaling (CCS) network using a Dedicated Network Access Link (DNAL) and a dedicated Signal Transfer Point (STP) port.

Signaling System Seven (SS7) - the layered protocol used for standardized Common Channel Signaling in the United States.

Subtending End Office of a Tandem - An end office that has final trunk group routing through that tandem.

Tandem - A Telephone Company switching system that provides a concentration and distribution function for traffic between end offices.

Telephone Company's Network - the communications network of the Smithville Telephone Company, Inc. and its connecting companies.

Voice Grade Trunk - A dedicated two-point private line channel service used to transmit voice grade signals in the nominal frequency range of 300 to 3000 Hz.

Wireless Carrier - The Wireless Carriers are communications carriers authorized to provide any wireless service to third parties for any remuneration where interconnection with the wireline network exists. This definition includes, but is not limited to, cellular carriers, radiotelephone services, paging operations, private land mobile radio services, noncellular mobile telephone services, and PCS.

Effective: _____
(Date)

Officer: William H. Earles
Title: Exec. Vice President

WIRELESS SERVICE

1. GENERAL (Cont'd)

Description of Service

Wireless Carrier Service provides facilities for establishing connections between wire line customers of the Telephone Company and customers served by an authorized wireless carrier utilizing one or more dedicated NNXs. This service is provided as trunk side switching through the use of central office or tandem switch trunk equipment and is arranged for either two-way calling, which permits the delivery of calls originated by both Telephone Company landline customers and wireless carrier customers, but not simultaneously, or one-way calling from a landline or a cellular customer. The methods of establishing connections are offered, designated Type 2A and Type 2B.

Transmission specification standards are delineated in Technical Reference TR-NPL-000145* and TR-EOP-000352*.

A. Type 2A Service

Type 2A service provides interconnection between a wireless carrier Mobile Carrier's MTSO, through a Telephone Company tandem switching point, to an end office switch of the Telephone Company, using a combination of dedicated facilities subscribed to by the Wireless Carrier and the facilities of the Telephone Company's network, for the purpose of communications between a wire line customer served by that end office switch and a customer served by the Wireless Carrier. Type 2A service is available only at designated Telephone Company electronic equal access tandem switches.

1. With a Type 2A interconnection, the Wireless Carrier is able to establish connections through the Telephone Company's facilities to/from all valid central office codes (NNXs) that are served through the tandem. When a call is originated from a Wireless Carrier customer, the Type 2A interconnection may also access Telephone Company announcement services and community information services.

*Technical references may be obtained from Bell Communications Research, Inc.
Distribution Storage Center, 60 New England Ave. Piscataway, NJ 08852.

Effective: _____
(Date)

Officer: William H. Earles
Title: Exec. Vice President

WIRELESS SERVICE

1. GENERAL (Cont'd)

Description of Service (Cont'd)

2. When the Wireless Carrier provides equal access, a separate Type 2A trunk group to an access tandem is required to deliver calls to Interexchange Carriers (ICs) that have Switched Access Feature Group B (FGB) or Feature Group D (FGD) service at the same access tandem. This trunk group may be equipped as a two-way trunk group and used to transport calls from the Wireless Carrier premises to an ICs Switched Access FGD service at the same access tandem. The Wireless Carrier's obligations pertaining to the provisioning of this separate two-way trunk group are set forth in Equal Access Call Recording (Sheet 13) following.
3. Type 2A interconnection service is comprised of four Telephone Company provided elements.
 - a. Cellular Dedicated Trunk (CDT) - The Type 2A CDT is a trunk that connects the MTSO to the Telephone Company's tandem. This trunk can be analog or digital based upon the Telephone Company's available facilities and the needs of the Wireless Carrier. This trunk is dedicated to the Wireless Carrier.

A digital Type 2A CDT consists of two components:

- a digital trunk facility which provides the digital facility between the Telephone Company's tandem and the MTSO.
- a digital trunk channel which is the equivalent of a voice band transmission path provided over a digital trunk facility.

A voice grade CDT consists of a four wire trunk.

- b. Cellular line Switching (CLS)- The CLS is the switching capability available to the Wireless Carrier in the Telephone Company's end office.

Effective: _____
(Date)

Officer: William H. Earles
Title: Exec. Vice President

WIRELESS SERVICE

1. GENERAL (Cont'd)

Description of Service (Cont'd)

- c. Cellular Common Trunk (CCT) - The CCT is the trunking available to the Wireless Carrier between the Telephone Company's tandem where the Type 2A CDT is provided and an end office subtending that tandem.

B. Type 2B Service

Type 2B service provides interconnection directly between a Wireless Carrier MTSO and an electronic equal access end office switch of the Telephone Company, using only dedicated facilities subscribed to by the Wireless Carrier, for the purpose of communications between a wire line customer served by that end office switch and a customer served by the Wireless Carrier.

- 1. With a Type 2B interconnection, the Wireless Carrier is able to establish connections through the Telephone Company's facilities to/from all valid central office codes (NNXs) in that end office.
- 2. Type 2B interconnection service is comprised of two Telephone Company provided elements.

- a. Cellular Dedicated Trunk (CDT) - The Type 2B CDT is a trunk that connects the Wireless Carrier MTSO to the Telephone Company's electronic equal access end office. This trunk can be analog or digital based upon the Telephone Company's available facilities and the needs of the Wireless Carrier. This trunk is dedicated to the Wireless Carrier.

A digital Type 2B CDT consists of two components:

- a digital trunk facility which provides the digital facility between the Telephone Company's end office and the MTSO.
- a digital trunk channel which is the equivalent of a voice band transmission path provided over a digital trunk facility.
- A voice grade CDT consists of a four wire trunk.

Effective: _____
(Date)

Officer: William H. Earles
Title: Exec. Vice President

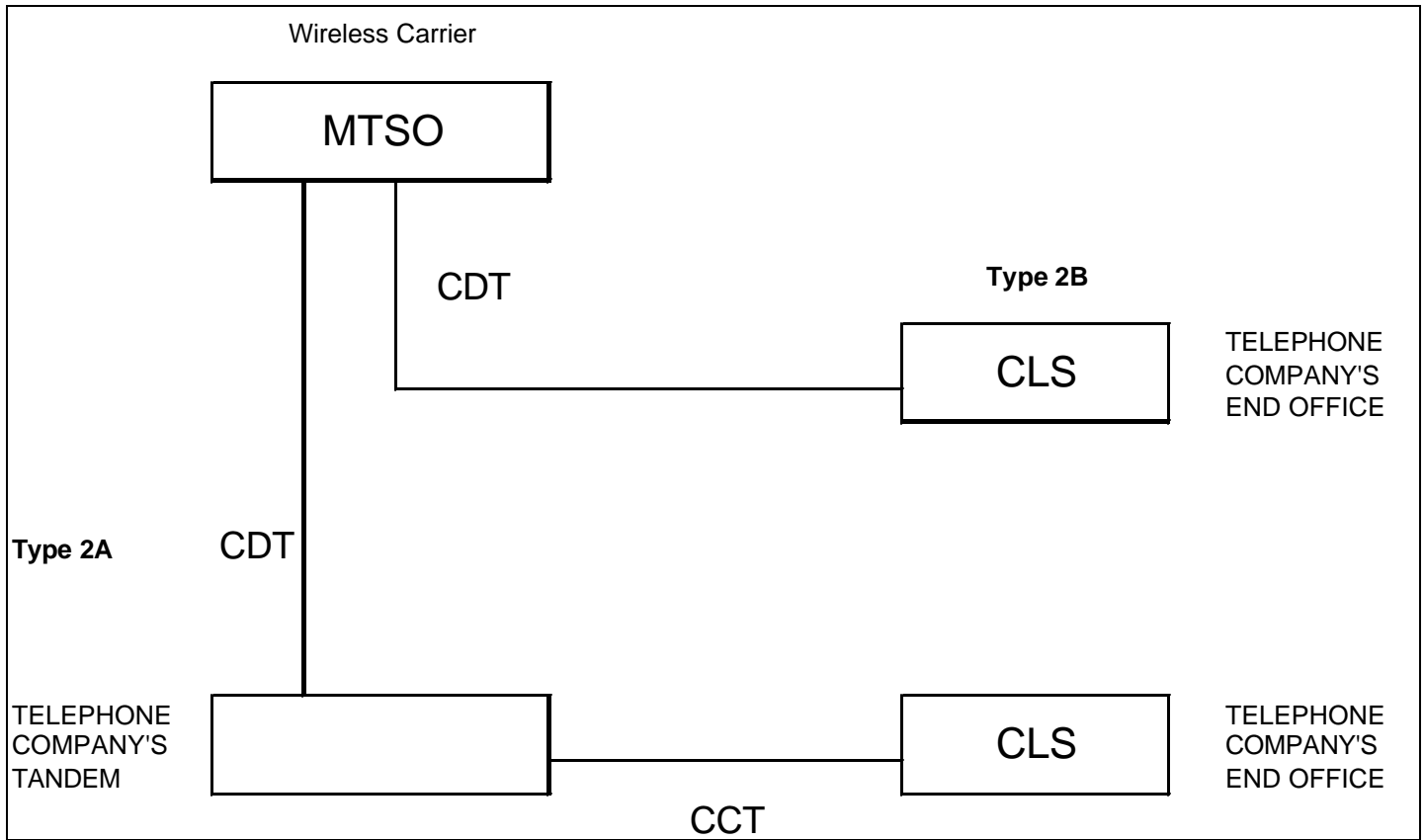
WIRELESS SERVICE

1. GENERAL (Cont'd)

Description of Service (Cont'd)

- b. Cellular Line Switching (CLS)- The CLS is the switching capability available to the Wireless Carrier in the Telephone Company's end office.

ILLUSTRATIVE SKETCH



CLS: Cellular Line Switching
 CDT: Cellular Dedicated Trunk
 CCT: Cellular Common Trunk
 MTSO: Mobile Telephone Switching Office

Effective: _____
 (Date)

Officer: William H. Earles
 Title: Exec. Vice President

WIRELESS SERVICE

2. REGULATIONS

Provision of Service

- A. At the Wireless Carrier's request, the Telephone Company and the Wireless Carrier will physically connect their facilities and interchange traffic originating or terminating on the Wireless Carrier's system in connection with the Wireless Carrier's authorized services. Such interconnection shall be in accordance with the provisions set forth herein.
- B. Subject to the availability of facilities and the reasonable requirements of the Telephone Company for its telecommunications services, the Telephone Company will provide to the Wireless Carrier, upon request, those facilities and arrangements which are necessary to establish the physical connection and interchange of traffic provided for herein, and other facilities the Wireless Carrier may require for operation of its system such as remote transmitter and receiver links.
- C. In interchanging wireless traffic, the Telephone Company will connect its facilities with those of the Wireless Carrier at any location in the LATA where the Wireless Carrier may wish to interconnect. If the facilities of another telephone company are required, the rates of the other telephone company will apply for the facilities provided by the other company as discussed in paragraph 3H following.
- D. If facilities are not available or, where the Wireless Carrier's individual requirements are such that special equipment or arrangements, special routing, special gauge of wire, unusual type of circuit facilities or more circuit facilities than could be utilized in the near future for telephone service are required, special construction as found in Section III of this tariff may be applicable.
- E. When digital Type 2A or 2B service is requested, a digital trunk facility must be established between the tandem or end office and the MTSO prior to the provisioning of individual digital trunk channels. The Wireless Carrier shall provide the system identification and channel assignment of the digital trunk facility when ordering digital trunk channels on existing digital trunk facilities.

Effective: _____
(Date)

Officer: William H. Earles
Title: Exec. Vice President

WIRELESS SERVICE

2. REGULATIONS (Cont'd)

Provision of Service (Cont'd)

- F. To convey signaling information from one switching system interface to another requires a feature facility that is compatible to the switching systems involved. There are two nonchargeable options available to the Wireless Carrier to select the switching system signaling feature for the transmission of signaling information.

The two switching system signaling options are as follows:

- Multifrequency (MF) Signaling

The Multifrequency (NF) Signaling option is a signaling technique used for inband transmission of data and voice messages. This type of signaling is transparent to the customer and used to perform signaling supervision and address functions between the end office or the tandem office switching system and the Wireless Carrier's designated premises. This option is available in all end or tandem offices.

- Signaling System Seven (SS7) Signaling

This option provides out-of-band transmission of address and supervisory SS7 protocol signaling information between the end office switching system or the tandem office switching system and the Wireless Carrier's designated premises. The SS7 signaling option requires the customer to connect to the Telephone Company's STP. The Calling Party Number and Carrier Selection Indicator parameters are included in the SS7 signaling option. This feature is available in SS7 signaling equipped end or tandem offices with Type 2 service.

Effective: _____
(Date)

Officer: William H. Earles
Title: Exec. Vice President

WIRELESS SERVICE

2. REGULATIONS (Cont'd)

Provision of Service (Cont'd)

Use of Service and Facilities

- A. The connecting circuits provided by the Telephone Company shall be used only for the handling of interchanged traffic originating or terminating on the Wireless Carrier's system in connection with the Wireless Carrier's authorized services.
- B. The connecting circuits, facilities or arrangements provided by the Telephone Company shall not be used, switched or otherwise connected together by the Wireless Carrier for the provision of through calling from a landline telephone to another landline telephone, except when required in the provision of Wireless Carrier provided vertical services such as three way calling and call forwarding.
- C. The connecting circuits, facilities and arrangements provided by the Telephone Company shall not be used for any purpose or in any manner, directly or indirectly, in violation of law or in aid of any unlawful act or undertaking.
- D. The Telephone Company and the Wireless Carrier each may make reasonable tests and inspections of its facilities and may, at a mutually agreeable time temporarily interrupt the facilities being tested or inspected.

Telephone Numbers

- A. With Type 2A and 2B service, a designated NNX may be dedicated entirely to the Wireless Carrier for assignment of telephone numbers to its customers.
- B. When ordering Wireless Service from the Telephone Company, the Wireless Carrier shall specify in writing all valid NNXs within the lata that have been designated entirely to the Wireless Carrier as well as any telephone numbers within other NNXs that have been designated to the wireless carrier. When the Wireless Carrier adds or discontinues any designated NNX codes or designated telephone numbers within other NNX codes, the Wireless Carrier shall promptly notify the Telephone Company in writing of these charges.

Effective: _____
(Date)

Officer: William H. Earles
Title: Exec. Vice President

WIRELESS SERVICE

2. REGULATIONS (Cont'd)

Availability of Facilities

The Telephone Company's obligation to furnish service or to continue to furnish service is dependent upon its ability to obtain, retain and maintain suitable rights and facilities without unreasonable expense, and to provide for the installation of those facilities required incident to the furnishing and maintenance of that service.

Priority of Service

In case a shortage of facilities exists at any time for temporary or protracted periods, the establishment of telephone local exchange and message toll services takes precedence in the furnishing of any other service or facility.

Equal Access Call Recording

If a Wireless Carrier orders a separate Type 2A trunk group to a Telephone Company tandem for use in the terminating direction to transport calls from the Wireless Carrier premises to an IC's Switched Access Feature Group D (FGD) service at the same access tandem, the Wireless Carrier shall provide the Telephone Company with documentation of a business agreement between the Wireless Carrier and each such IC for the delivery of such calls. The agreement shall include acknowledgment that the Telephone Company may use call detail recordings made by the Wireless Carrier to determine charges to the IC for the FGD service used for the Wireless Carrier to IC calls. The Wireless Carrier shall also provide to the Telephone Company, using industry standard data record formats as delineated in Bell Communications Research document BR 010-200-10*, recordings of all calls (both completed and attempted calls) to ICs from the Wireless Carrier premises using the Type 2A service. Recordings of calls provided by the Wireless Carrier in other than industry standard format will be handled at cost.

*Technical References may be obtained from Bell Communications Research, Inc.
Distribution Storage Center, 60 New England Ave., Piscataway, NJ 08852.

Effective: _____
(Date)

Officer: William H. Earles
Title: Exec. Vice President

WIRELESS SERVICE

2. REGULATIONS (Cont'd)

Chares for Services and Facilities

- A. The Telephone Company shall bill in advance all charges for all services to be provided during the ensuing billing period except for charges associated with service usage which will be billed in arrears. The Wireless Carrier agrees to pay The Telephone Company all charges specified within 31 days (payment date) after the bill day or by the next bill date (i.e. same date in the following month as the bill date) whichever is the shortest interval. All charges are payable in immediately available funds. The bill shall be delivered to the Wireless Carrier in print format unless otherwise requested by the Wireless Carrier. If another format is requested the specifics will be negotiated between the Telephone Company and the Wireless Carrier.
- B. Any portion of the payment received by the Telephone Company after the payment date as set forth in A. preceding, or any portion of the payment received by the Telephone Company in funds which are not immediately available to the Telephone Company shall be assessed a late payment penalty as specified in CCI, Tariff I.U.R.C. No 5, cross referencing NECA, Tariff F.C.C. No. 5.
- C. The Telephone Company shall charge the Wireless Carrier for the portion of the service provided by the Telephone Company as set forth in 3. Rates and Charges following.
- D. The Telephone Company may, in order to safeguard its interests, require the Wireless Carrier to make a deposit to be held by the Telephone Company as a guarantee of the payment of charges. Such deposit may not exceed the actual or estimated rates and charges for the service for a two month period. The fact that a deposit has been made in no way relieves the Wireless Carrier from complying with the Telephone Company's regulations as to the prompt payment of bills. At such time as the provision of the service to the Wireless Carrier is terminated, the amount of the deposit will be credited to the Wireless Carrier's account and any credit balance which may remain will be refunded. Such a deposit will be refunded or credited to the account when the Wireless Carrier has established credit or, in any event, after the Wireless Carrier has established a one-year prompt payment record at any time prior to the termination of the provision of the service to the Wireless Carrier. In case of a cash deposit, for the period the deposit is held by the

Effective: _____
(Date)

Officer: William H. Earles
Title: Exec. Vice President

WIRELESS SERVICE

2. REGULATIONS (Cont'd)

Charges for Services and Facilities (Cont'd)

Telephone Company, the Wireless Carrier will receive interest at the same percentage rate as that set forth in CCI, Tariff I.U.R.C. No. 5 cross referencing NECA, Tariff F.C.C. No. 5. The rate will be compounded from the date the Wireless Carrier's deposit is received by the Telephone Company to and including the date such deposit is credited to the Wireless Carrier's account or the date the deposit is refunded by the Telephone Company. Should a deposit be credited to the Wireless Carrier's account, as indicated above, no interest will accrue on the deposit from the date such deposit is credited to the Wireless Carrier's account.

- E. Any maintenance of service charges shall be applied in accordance with provisions specified in CCI Tariff No. 5 cross referencing NECA, Tariff F.C.C. No. 5.
- F. Any expedited repair (overtime work required outside of normal hours) charges shall be applied in accordance with provisions specified in CCI Tariff I.U.R.C. No. 5 cross referencing NECA, Tariff F.C.C. No. 5.

Application of Minimum and Termination Charges

- A. Unless otherwise specified in the Telephone Company's tariffs, the minimum service period is one month from the date service is established and the minimum charge is the established rate for one month.
- B. When the use of the service or facilities is terminated because of condemnation, destruction or damage of property by fire or other cause beyond control of the customer, which renders the premises unfit for occupancy, the customer is required to pay only the charges for the period during which service or facilities have been furnished, no minimum or termination charges being applied.
- C. Any change in the rates or regulations of this Section prescribed by public authority having jurisdiction modifies all terms and regulations of contracts to the extent of such change.

Effective: _____
(Date)

Officer: William H. Earles
Title: Exec. Vice President

WIRELESS SERVICE

2. REGULATIONS (Cont'd)

Liability of the Telephone Company and the Wireless Carrier

- A. Neither the Telephone Company nor the Wireless Carrier assumes any liability for any act or omission of the other in the furnishing of its service to its subscribers.
- B. The liability of the Telephone Company for damages arising out of delays in installation, maintenance or restoration of facilities, services or arrangements or out of mistakes, omissions, interruptions, or errors or defects in transmission occurring in the course of providing such facilities, services or arrangements shall in no event exceed the amount specified in paragraph following, Allowance for Interruptions.
- C. The Telephone Company shall reimburse the Wireless Carrier for damages to premises or equipment of the Wireless Carrier resulting from the provision of facilities, services or arrangements by the Telephone Company on such premises or resulting from the installation or removal thereof if caused by the negligence or willful act of the Telephone Company.
- D. The Wireless Carrier shall reimburse the Telephone Company for damages to facilities of the Telephone Company if caused by the negligence or willful act of the Wireless Carrier, or due to malfunction of any facilities or equipment provided by other than the Telephone Company.
- E. In the event that such damages as described in the foregoing paragraphs are the result of labor difficulties, governmental orders, civil commotions, natural disasters or other circumstances beyond the parties' reasonable control, the liability of the parties shall be only to the extent specified in paragraph (Sheet 17) following, Allowance for Interruptions.
- F. With respect to claims of patent infringement the Wireless Carrier shall defend, indemnify, protect and save harmless the Telephone Company from and against all claims arising out of the combining with or use in connection with the Telephone Company's facilities, services or arrangements any circuit, apparatus, system or method provided by the Wireless Carrier or its subscribers.

Effective: _____
(Date)

Officer: William H. Earles
Title: Exec. Vice President

WIRELESS SERVICE

2. REGULATIONS (Cont'd)

Interruption of Service

- A. The characteristics and methods of operation of any circuits, facilities or equipment of the Wireless Carrier connected with the services, facilities or equipment of the Telephone Company shall not interfere with or impair service over any facilities of the Telephone Company, its affiliated companies, or its connecting and concurring carriers involved in its services; or cause damage to their plant, impair the privacy of any communications carried over their facilities or create hazards to the employees of any of them or the public.
- B. If such characteristics or methods of operation are not in accordance with A. preceding, the Telephone Company will, where practicable, notify the Wireless Carrier that temporary discontinuance of the circuit, facility or equipment may be required; however, when prior notice is not practicable, the Telephone Company may forthwith temporarily discontinue the use of a circuit, facility or equipment if such action is reasonable under the circumstances. In case of such temporary discontinuance the Wireless Carrier will be promptly notified and afforded the opportunity to correct the condition which gave rise to the temporary discontinuance. The allowance for interruption is not applicable.
- C. The physical connection of facilities and interchange of traffic may be temporarily discontinued by either party upon 30 days notice to the other for repeated or willful violation of or refusal to comply with any of the applicable provisions of this tariff.

Allowance for Interruptions

- A. When use of the facilities furnished by the Telephone Company is interrupted due to trouble in such facilities, and such interruption is not caused by the negligence of the Wireless Carrier or its subscriber, or the fault of facilities or equipment provided by the Wireless Carrier or its subscriber, the Wireless Carrier shall, upon request, be allowed a credit as follows:
 - 1. Cellular Dedicated Trunk (CDT)

Effective: _____
(Date)

Officer: William H. Earles
Title: Exec. Vice President

WIRELESS SERVICE

2. REGULATIONS (Cont'd)
- a. No credit shall be allowed for an interruption of less than 30 minutes. The Wireless Carrier shall be credited for an interruption of 30 minutes or more at the rate of 1/1440 of the monthly charge for the facility for each period of 30 minutes or major fraction.
 - b. No credit shall be applicable for any period during which the Wireless Carrier fails to afford access to the facilities furnished by the Telephone Company for the purpose of investigating and clearing the trouble reported.

Refusal and Discontinuance of Service

- A. The dates when the facilities and arrangements furnished hereunder shall be placed into service shall be mutually agreed upon by the Telephone Company and the Wireless Carrier. If service is not established by such date or in the event the Wireless Carrier ceases to engage in the business or providing service, either party may terminate the service on one month's notice. In such case payment for facilities or arrangements provided or for costs incurred, as set forth below, may be applicable.
- B. The service shall immediately terminate upon the suspension, revocation or termination by other means of the Wireless Carrier's authority to provide such services over its system.
- C. The service may be terminated by the Telephone Company upon not less than ten days notice to the Wireless Carrier for failure to pay the Telephone Company on the dates or at the times specified for the facilities and services furnished.

Effective: _____
(Date)

Officer: William H. Earles
Title: Exec. Vice President

WIRELESS SERVICE

2. REGULATIONS (Cont'd)

Refusal and Discontinuance of Service (Cont'd)

- D. Upon termination of the service the monthly charges payable shall be prorated to the date of termination, provided that the facility or arrangement for which such charge is levied has been in service for more than one month. In the event that the facility or arrangement has been in service for less than one month, the full monthly charge shall be due on termination, together with any applicable nonrecurring charges.
- E. In the event that facilities or arrangements are terminated prior to initiating service to the public, or that the Wireless Carrier cancels an order for a facility or an arrangement prior to placing it in service, and the Telephone Company has incurred costs in connection with the facility or arrangement to be provided, the Wireless Carrier shall reimburse the Telephone Company the full charges for one month's service together with any applicable nonrecurring charges; or the reasonable costs, less net salvage, actually incurred by the Telephone Company if such costs are less than the applicable monthly and nonrecurring charges.
- F. For the purpose of E. preceding, the term "costs" shall include the nonrecoverable , cost of equipment and material ordered, plus the nonrecoverable cost of installation and removal including the cost of engineering, labor, supervision, transportation, rights-of-way and any other associated costs.

Testing

- A. The Telephone Company may make reasonable tests and inspections of its facilities And may, at a time mutually agreed upon between the Wireless Carrier and the Telephone Company, temporarily interrupt the facilities being tested or inspected.
- B. Cooperative Acceptance Testing will be performed on all new installations at a negotiated time without charge to the Wireless Carrier.
- C. Other Testing requested by the Wireless Carrier.
Charges specified in CCI Tariff No. 5 cross referencing NECA Tariff F.C.C. No. 5 may be applicable.

Effective: _____
(Date)

Officer: William H. Earles
Title: Exec. Vice President

WIRELESS SERVICE

2. REGULATIONS (Cont'd)

Maintenance

- A. The Telephone Company is solely responsible for the maintenance of facilities provided by the Telephone Company. This includes the Telephone Company provided wiring, cable and other facilities up to the point of termination.
- B. The maintenance of the Telephone Company provided facilities will be accomplished without charge to the Wireless Carrier.
- D. The customer or others may not rearrange, move, disconnect, remove or attempt to repair any facilities provided by the Telephone Company, other than by connection or disconnection to an interface means, except with the written consent of the Telephone Company.

Effective: _____
(Date)

Officer: William H. Earles
Title: Exec. Vice President

WIRELESS SERVICE

3. RATES AND CHARGES

Types of Rates and Charges

There are two types of rates and charges. These are monthly rates and nonrecurring charges. The rates and charges are described as follows:

A. Monthly Rates

Monthly rates are flat recurring rates that apply each month or fraction thereof that a Wireless Carrier Service is provided. They also include associated usage based charges for a respective month.

B. Nonrecurring Charges

Nonrecurring charges are one-time charges that apply for specific work activity (i.e., installation or change to an existing service). The types of nonrecurring charges that apply for Wireless Carrier Service are: Installation of Service, Digital Trunk Channel Activation and Service Rearrangements.

1. Installation of Service

Nonrecurring charges apply to each service installed. The nonrecurring charges for the installation of service are set forth in a, b, and c below.

a. Administrative Charge

The Administrative Charge applies any time a Wireless Carrier initiates an order for service. This charge applies once per order. Administrative Charges are set forth in Type 2A and Type 2B Nonrecurring Charges following.

Effective: _____
(Date)

Officer: William H. Earles
Title: Exec. Vice President

WIRELESS SERVICE

3. RATES AND CHARGES (Cont'd)

Types of Rates and Charges (Cont'd)

b. Design and Central Office Connection Charge

The Design and Central Office Connection Charge applies to each service installed, and is charged once per circuit. The nonrecurring charges for design and central office connection are set forth in Type 2A and Type 2B Nonrecurring Charges following.

c. Wireless Carrier Connection Charge

The Customer Connection Charge applies to each service installed, and is charged once per circuit. The nonrecurring charges for customer connection are set forth in Type 2A and Type 2B Nonrecurring Charges following.

2. Activation of a Digital Trunk Channel

Nonrecurring charges apply for the activation of a digital trunk channel. The charge does not apply when the channel is installed coincident with the initial installation of the digital system but does apply at any time subsequent to the installation of the digital system. The Administrative Charge will also apply.

3. Service Rearrangements

Service rearrangements are changes to existing (installed) services which do not result in either a change in the minimum period requirements as set forth in Application of Minimum Charges preceding or a change in the physical location of the point of termination at a Wireless Carrier

Effective: _____
(Date)

Officer: William H. Earles
Title: Exec. Vice President

WIRELESS SERVICE

3. RATES AND CHARGES (Cont'd)

Types of Rates and Charges (Cont'd)

designated premises. Changes which result in the establishment of new minimum period obligations are treated as disconnects and starts. Changes in the physical location of the point of termination are treated as moves and are described and charged for as set forth in 3.B 4. Moves following.

The charge to the Wireless Carrier for the service rearrangement is dependent on whether the change is "records only" in nature or involves actual physical change to the service.

Certain "records only" changes will be made without charge(s) to the Wireless Carrier. Such changes require the continued provision and billing of the Wireless Carrier Service to the same entity (i.e., customer remains responsible for all outstanding indebtedness for the Wireless Carrier Service). "Records Only" changes include but are not limited to:

- Change of Wireless Carrier name (i.e., the Wireless Carrier of record does not change but rather the Wireless Carrier of record changes its name --eg., AT&T-Long Lines to AT&T - Communications), .
- Change of Wireless Carrier address when the change of address is not a result of a physical relocation of equipment,
- Change in billing data (name, address, or contact name or telephone number,
- Change of Wireless Carrier contact or telephone number.

Other service rearrangements include but not limited to are as follows:

- If a change involves the activation of a digital trunk with separate nonrecurring charges, the Design and Central Office Connection Charge and the Wireless Carrier Connection Charge associated with the Wireless Carrier service will apply in addition to the separate nonrecurring charge. The Administrative Charge will also apply.
- If a change involves the removal of a Feature or Option, (i.e., a digital

Effective: _____
(Date)

Officer: William H. Earles
Title: Exec. Vice President

WIRELESS SERVICE

3. RATES AND CHARGES (Cont'd)

Types of Rates and Charges (Cont'd)

Nonrecurring Charges (Cont'd)

Service Rearrangements

trunk channel) either with or without separate nonrecurring charges, the Design and Central Office Charge associated with the Service will apply. The Administrative Charge will also apply.

- If the change involves a change in the type of signaling, the Design and Central Office Connection Charge and the Customer Connection Charge associated with Direct Analog Service will apply. The Wireless Carrier Connection Charge will apply per circuit affected. The Administrative Charge will also apply.

- For all other changes which require physical work to be performed, one Design and Central Office Connection apply. The Administrative Charge will also apply.

- For all other changes not requiring physical work at the central office or Wireless Carrier premises, including a change in the customer circuit identification, billing account number, jurisdiction without a physical rearrangement of facilities, or customer test line, the Administrative Charge will apply.

If the rearrangements are initiated by the Telephone Company, no charge will apply.

Effective: _____
(Date)

Officer: William H. Earles
Title: Exec. Vice President

WIRELESS SERVICE

3. RATES AND CHARGES (Cont'd)

Types of Rates and Charges (Cont'd)

Nonrecurring Charges (Cont'd)

4. Moves

A move involves a change in the physical location of one of the following:

- The Point of Termination at the Wireless Carrier's premises
- The Wireless Carrier's premises

The charges for the move are dependent on whether the move is to a new location within the same building or to a different building.

a. Moves Within the Same Building

When the move is to a new location within the same building, charge for the move will be equal to one half of the nonrecurring (i.e., installation) charge for the service termination affected. There will be no change in the minimum period requirements.

b. Moves To a Different Building

Moves to a different building will be treated as a discontinuance and start of service and all associated nonrecurring charges will apply. New minimum period requirements will be established for the new services. The Wireless Carrier will also remain responsible for satisfying all outstanding minimum period charges for the discontinued service.

Effective: _____
(Date)

Officer: William H. Earles
Title: Exec. Vice President

WIRELESS SERVICE

3. RATES AND CHARGES (Cont'd)

Application

A. The monthly rates and nonrecurring charges for Wireless Carrier Service rate elements apply as follows:

1. Cellular Line Switching (CLS) - (Types 2A and B Service)

The CLS rate applies for each minute, or fraction thereof, of end office switching equipment use for a call between a wire line customer served from that end office and a CMC MTSO.

2. Cellular Dedicated Trunk (CDT) - (Types 2A and 2B Service)

a. The CDT rate is a two-part monthly rate consisting of a fixed rate plus a per mile rate. (Airline mileage between the MTSO and the Telephone Company's end office or tandem)

- A non-recurring charge is applicable to install or change a CDT.

- A non-recurring charge is applicable to activate a digital channel.

b. Shared Use

Shared Use occurs when type 2A or 2B service and Special Access service are provided, at the Wireless Carrier's request, over the same digital transmission facility through a common interface.

For Type 2A or 2B service where the Special Access facility ends at a Telephone Company hub that is not co-located in the same wire center with the Telephone Company access tandem or end office, the fixed monthly rate for the CDT service does not apply. In addition, the mileage used to

Effective: _____
(Date)

Officer: William H. Earles
Title: Exec. Vice President

WIRELESS SERVICE

3. RATES AND CHARGES (Cont'd)

Application (Cont'd)

Shared Use (Cont'd)

determine the monthly rate for Type 2A CDT service is calculated using the airline distance between the Telephone Company hub location where the Special Access facility ends and the Telephone Company access tandem. For Type 2B service, the mileage is measured between the Telephone Company hub location where the Special Access facility ends and the Telephone Company end office.

For Type 2A or 2B service where the Special Access facility ends at a Telephone Company hub that is co-located in the same wire center with the Telephone Company access tandem for Type 2A service or end office for Type 2B service, the CDT mileage charges i.e., the fixed monthly rates and per mile monthly rates, do not apply.

3. Cellular Common Trunk (CCT) - (Type 2A service)

The CCT rate applies for each minute or fraction thereof of CCT use. The CCT rate is distance sensitive, based upon the Airline Mileage between the Telephone Company's end office and tandem.

- B. If an NNX is implemented in the Telephone Company serving area, one rate center location pertaining to landline originated calls will be assigned per NNX Implemented. The rate center location will be that of the Telephone Company Tandem Switch

Effective: _____
(Date)

Officer: William H. Earles
Title: Exec. Vice President

WIRELESS SERVICE

3. RATES AND CHARGES (Cont'd)

Application (Cont'd)

where the Type 2A Cellular Dedicated Trunks are interconnected to the Telephone Company's network. The Wireless Carrier may at their option however, select the MTSO as the rate center if the MTSO is physically located in the same CGSA as the above mentioned tandem switch. The rate center for Type 2B service will be the same as established for Type 2A.

- C. For Type 2A and 2B services, the Wireless Carrier is responsible for the provision of sufficient Cellular Dedicated Trunks (CDTs) to accommodate all originating and terminating traffic and will be charged the appropriate nonrecurring charges and monthly rates as specified following.
- D. The Cellular Line Switching (CLS) rate element will be accessed to the Wireless Carrier on a per minute or fraction thereof, basis for all Type 2A and 2B landline originating and terminating calls. In addition, for all landline originating and terminating Type 2A calls, the Wireless Carrier will be charged the Cellular Common Trunk (CCT) rate per minute, or fraction thereof.
- E. Minutes or fraction thereof of use, including calls not completed, are billed by the total time of the connection to the Wireless Carrier's facilities, not just conversation time.

Effective: _____
(Date)

Officer: William H. Earles
Title: Exec. Vice President

WIRELESS SERVICE

3. RATES AND CHARGES (Cont'd)

Application (Cont'd)

where the Type 2A Cellular Dedicated Trunks are interconnected to the Telephone Company's network. The Wireless Carrier may at their option however, select the MTSO as the rate center if the MTSO is physically located in the same CGSA as the above mentioned tandem switch. The rate center for Type 2B service will be the same as established for Type 2A.

- C. For Type 2A and 2B services, the Wireless Carrier is responsible for the provision of sufficient Cellular Dedicated Trunks (CDTs) to accommodate all originating and terminating traffic and will be charged the appropriate nonrecurring charges and monthly rates as specified following.
- D. The Cellular Line Switching (CLS) rate element will be accessed to the Wireless Carrier on a per minute or fraction thereof, basis for all Type 2A and 2B landline originating and terminating calls. In addition, for all landline originating and terminating Type 2A calls, the Wireless Carrier will be charged the Cellular Common Trunk (CCT) rate per minute, or fraction thereof.
- F. Minutes or fraction thereof of use, including calls not completed, are billed by the total time of the connection to the Wireless Carrier's facilities, not just conversation time.

Effective: _____
(Date)

Officer: William H. Earles
Title: Exec. Vice President

WIRELESS SERVICE

3. RATES AND CHARGES (Cont'd)

Application (Cont'd)

Minutes or fractions thereof of use are accumulated over the billing period and rounded up to the nearest minute for each end office.

F. A listing for the mobile telephone number of the Wireless Carrier's customer in the alphabetical directory serving the Wireless Carrier customer location, may be provided at the rates and charges specified in Section III for Additional Listings.

G. With SS7 signaling, up to 12 digits of the called party number dialed by the Telephone Company's end user using dual tone multifrequency or dial pulse address signals will be provided by Telephone Company equipment to the customer's designated premises via a Signal Transfer Point Access circuit. The SS7 signaling option requires the customer to connect to the Telephone Company's STP.

- When a customer only changes Type 2A or Type 2B service from MF to SS7 signaling, nonrecurring charges will not apply.

H. When Wireless Carrier Services are ordered by a customer where one end of the channel mileage is in one Exchange Telephone Company operating territory and the other end is in another Exchange Telephone Company operating territory, the Meet Point Billing (MPB) arrangement is available for ordering and billing of these services. Each Exchange Telephone Company involved will receive a copy of the order and will arrange to provide its portion of the service. Each Exchange Telephone Company would bill according to the Meet Point Billing arrangement selected by the Exchange Company.

Rating and billing will conform to industry standards and will be based on billing percentages (BP). BPs are determined by service type on a meet point basis.

Effective: _____
(Date)

Officer: William H. Earles
Title: Exec. Vice President

WIRELESS SERVICE

3. RATES AND CHARGES (Cont'd)

Application (Cont'd)

There are two options available to the Exchange Companies for billing the Wireless Carriers under the MPB arrangement.

The two Meet Point Billing options are as follows:

- Single Bill Multiple Tariff The billing EC prepares one access bill which identifies each EC's applicable tariffed rates.

-Multiple Bill: Each EC renders a bill for its portion of jointly provided access service.

Nonrecurring charges will apply as appropriate for the Meet Point arrangement.

Effective: _____
(Date)

Officer: William H. Earles
Title: Exec. Vice President

WIRELESS SERVICE

3. RATES AND CHARGES (Cont'd)

Type 2A Service	<u>Rate Per Minute or Fraction Thereof</u>	
A. Cellular Line Switching (CLS)	\$.0422	
B. Cellular Dedicated Trunk (CDT)	<u>Monthly Rates</u>	
	<u>Fixed</u>	<u>Per Mile</u>
1. Voice Grade (4 wire)	\$54.23	\$2.42
2. Digital Trunk Facility - 1.544 mbs	\$352.50	\$38.92
C. Cellular Common Trunk (CCT)	<u>Mileage Band</u>	<u>Rate Per Minute or Fraction Thereof</u>
	1 st mile or fraction thereof	.0314
	over 1 to 8	.0319
	over 8 to 16	.0332
	over 16 to 25	.0348
	over 25 to 50	.0379
	over 50 to 100	.0447
	over 100	.0582

Effective: _____
(Date)Officer: William H. Earles
Title: Exec. Vice President

WIRELESS SERVICE

3. RATES AND CHARGES (Cont'd)

Type 2B Service	<u>Rate Per Minute or Fraction Thereof</u>	
A. Cellular Line Switching (CLS)	\$.0422	
B. Cellular Dedicated Trunk (CDT)	<u>Monthly Rates</u>	
	<u>Fixed</u>	<u>Per Mile</u>
4. Voice Grade (4 wire)	\$54.23	\$2.42
5. Digital Trunk Facility - 1.544 mbs	\$352.50	\$38.92

Effective: _____
(Date)

Officer: William H. Earles
Title: Exec. Vice President

WIRELESS SERVICE

3. RATES AND CHARGES (Cont'd)

Type 2A and Type 2B Nonrecurring Charges

Installation and Rearrangement Charges

	<u>Administrative Charge</u>	<u>Design & C.O. Charge</u>	<u>Wireless Carrier Connection Charge</u>
Voice Grade	\$130.00	\$200.00	\$275.00
Digital Trunk (DS1)	\$170.00	\$300.00	\$550.00

Digital Trunk Channel Activation Charge

	<u>Nonrecurring Charge</u>
-Type 2A and 2B per Digital Trunk Facility, per request 1 st Channel	\$89.00
Each Additional	\$56.00

Effective: _____
(Date)

Officer: William H. Earles
Title: Exec. Vice President